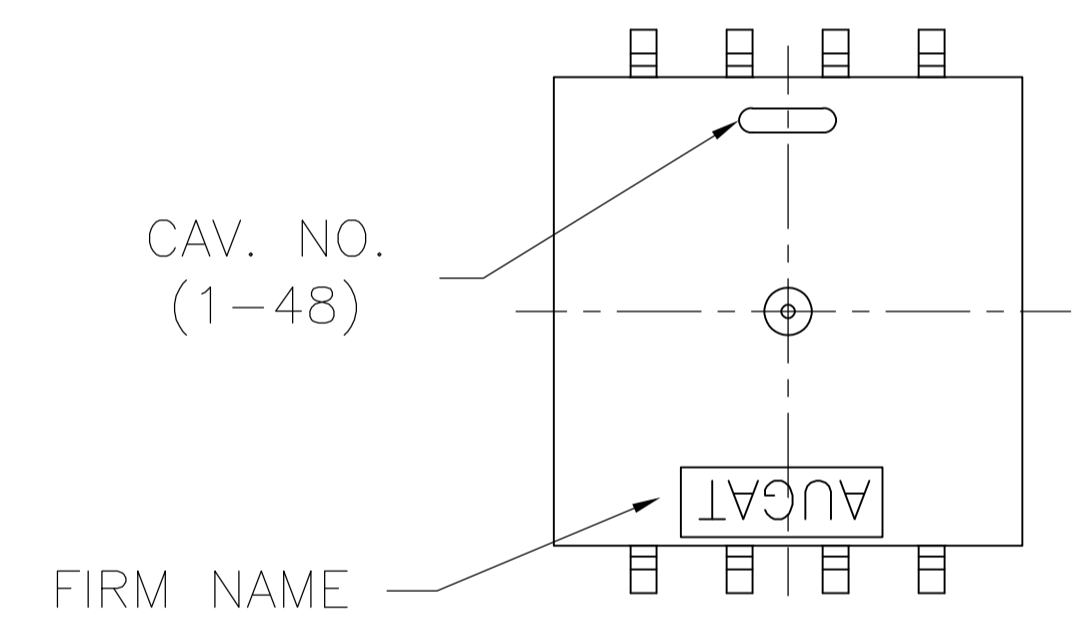
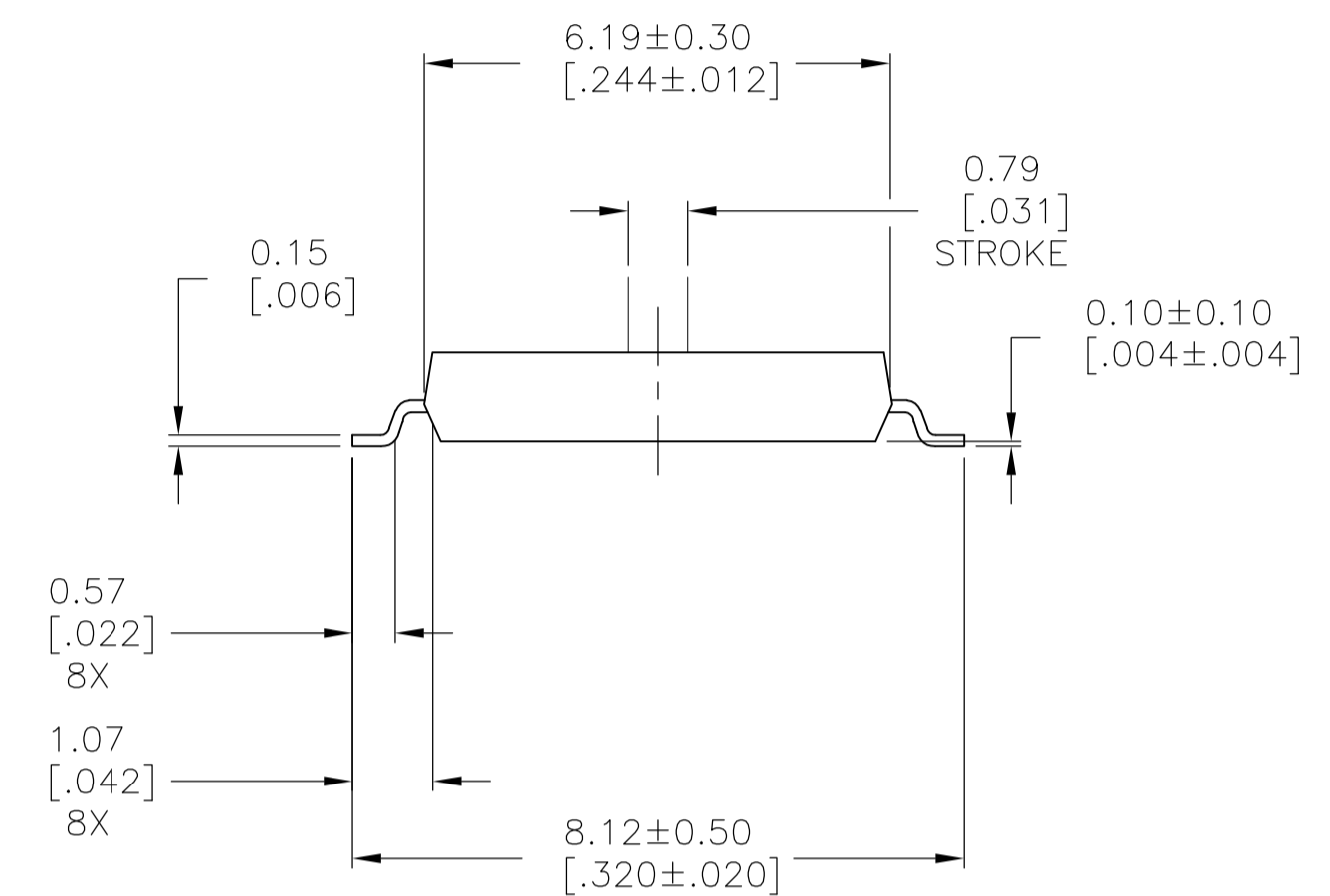
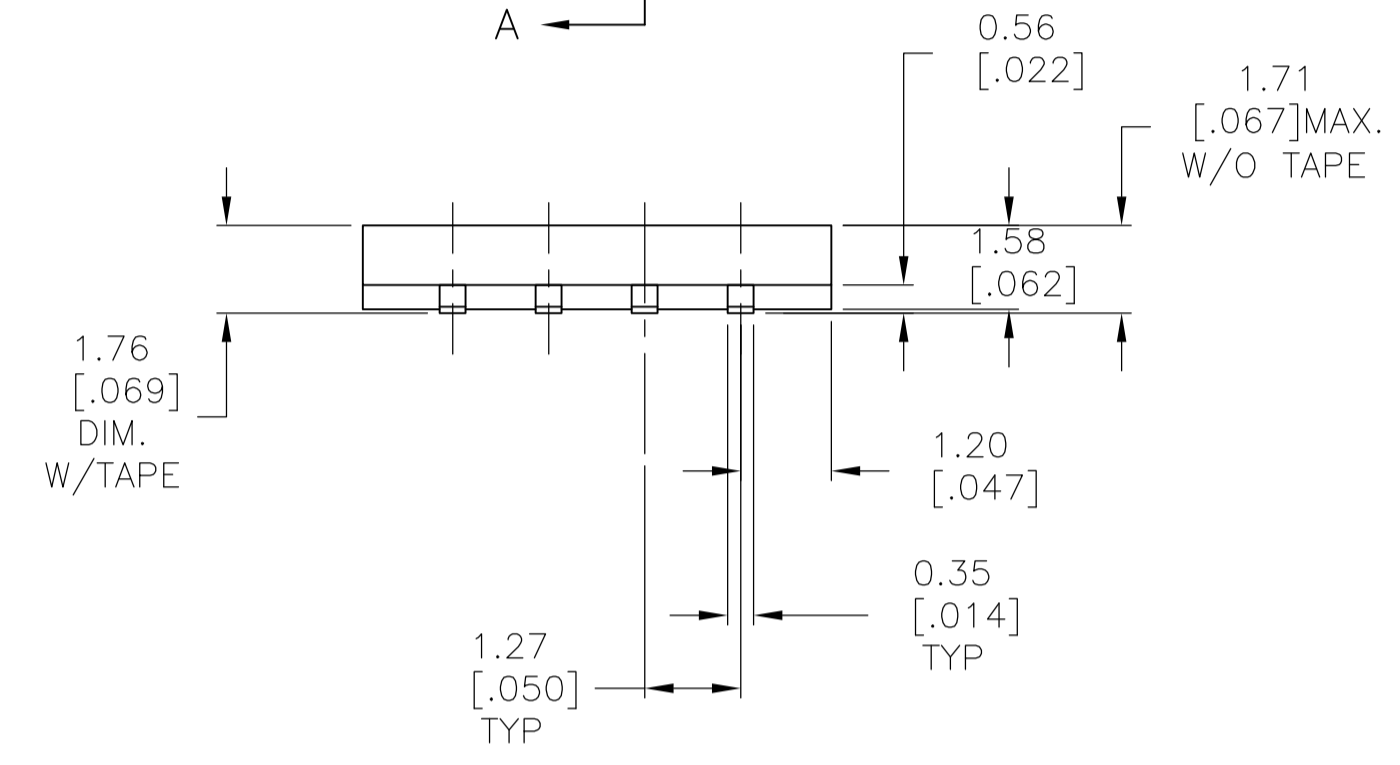
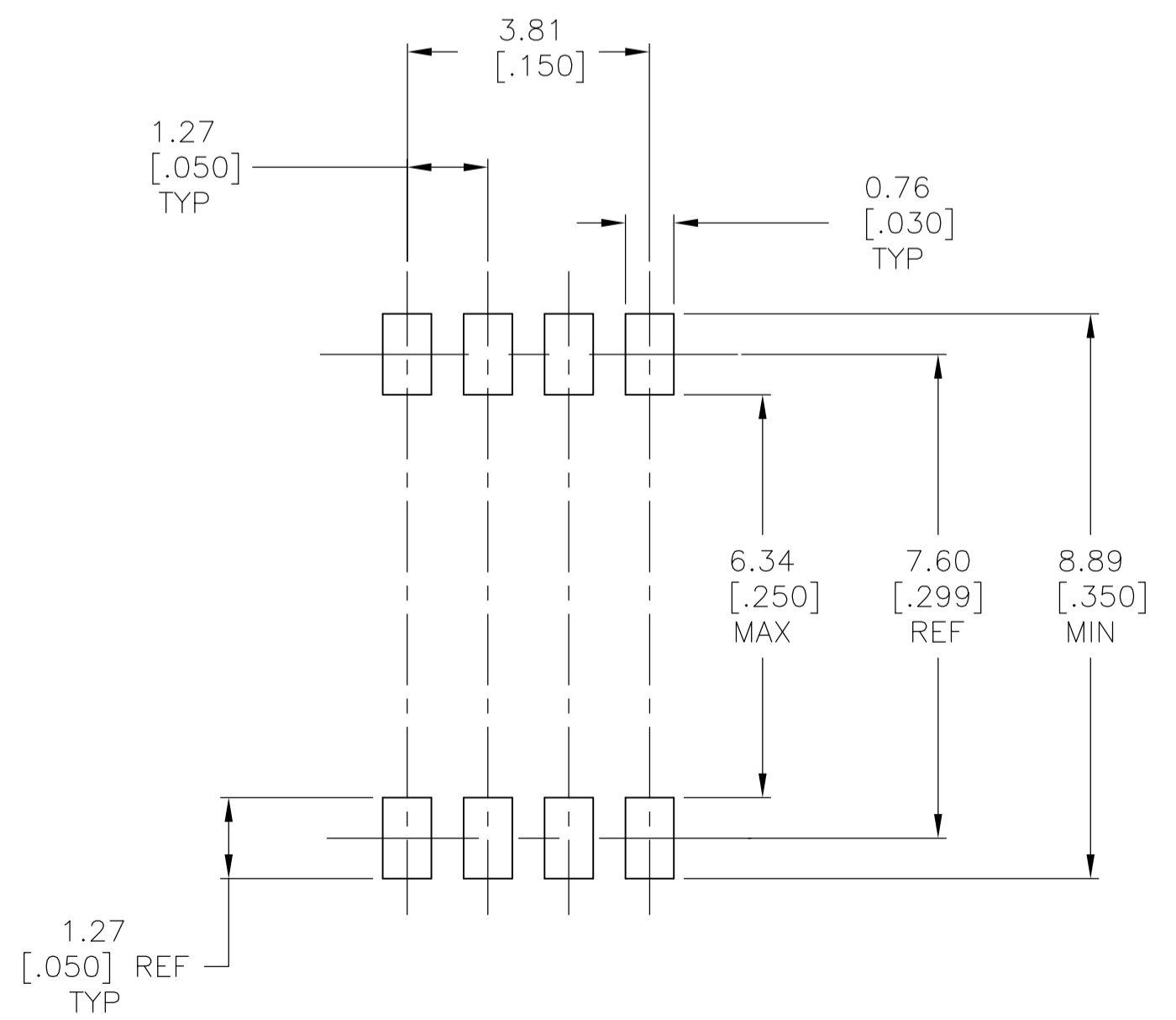


LOT NO.  
2 D  
MONTH  
YEAR  
1992. APRIL



CAV. NO.  
(1-48)  
FIRM NAME



RECOMMENDED PAD LAYOUT  
TOLERANCE ±.002 UNLESS OTHERWISE NOTED

**SPECIFICATIONS:**

**MATERIALS:**

CASE-PPS UL94V-0, BLACK  
COVER-PPS UL94V-0, BLACK  
ACTUATOR-LCP UL94V-0, WHITE  
FIXED CONTACT-COPPER ALLOY, GOLD OVER NICKEL PLATE  
MOVING CONTACT-COPPER ALLOY, GOLD OVER NICKEL PLATE  
TERMINAL-COPPER ALLOY, GOLD OVER NICKEL PLATE  
TAPE SEAL-POLYIMIDE FILM

**ELECTRICAL:**

CONTACT RATING: NON-SWITCHING: 100 MILLIAMPS @50 VDC  
SWITCHING: 25 MILLIAMPS @24 VDC  
INITIAL CONTACT RESISTANCE:100 MILLIOHMS MAX. @2 VDC. 10 mA.  
INSULATION RESISTANCE: 100 MEGOHMS MIN AT 100 VDC  
DIELECTRIC STRENGTH: 300 VAC, 1 MINUTE.  
LIFE EXPECTANCY: 1,000 CYCLES MIN.

**MECHANICAL:**

ACTUATION FORCE: 600g MAX.

**ENVIRONMENTAL:**

OPERATING TEMPERATURE: -30°C TO +85°C  
STORAGE TEMPERATURE: -45°C TO +100°C  
SOLDER HEAT RESISTANCE PER 109-201, CONDITION B SWITCH IN OFF POSITION  
SOLDERABILITY PER JIS C 0050 & JIS C 0053

- SUPPLIED WITH TAPE SEAL STANDARD
- SWITCH IS TO HAVE OVERALL HEIGHT AS SHOWN
- ITEM TO BE PACKAGED IN TUBES, QUANTITY PER TUBE=70
- SWITCH SHALL BE MARKED AS SHOWN
- ALL MATERIALS AND FINISHES SHALL COMPLY WITH EU DIRECTIVE 2002/95/EC OF 27JAN2003 (ROHS)
- TAPE AND REEL PACKAGING PER EIA-481

2000	T&R	MGDH04STR04	1825140-2
70	TUBE	MGDH04S04	1825140-1
QTY	PACKAGING	T&B P/N	TE P/N

THIS DRAWING IS A CONTROLLED DOCUMENT.		DIN S VISWESWARA		M.S.SARVER		M.S.SARVER		M.S.SARVER	
DIMENSIONS: mm [INCHES]		TOLERANCES UNLESS OTHERWISE SPECIFIED:		PRODUCT SPEC		APPLICATION SPEC		SIZE	
0 PLC ± -		1 PLC ± -		2 PLC ± 0.25[0.010]		3 PLC ± -		4 PLC ± -	
MATERIAL		FINISH		WEIGHT		SCALE		SHEET	
				A1 00779		1825140		1 OF 1	
CUSTOMER DRAWING		SCALE 10:1		SHEET 1 OF 1		REV 05			